

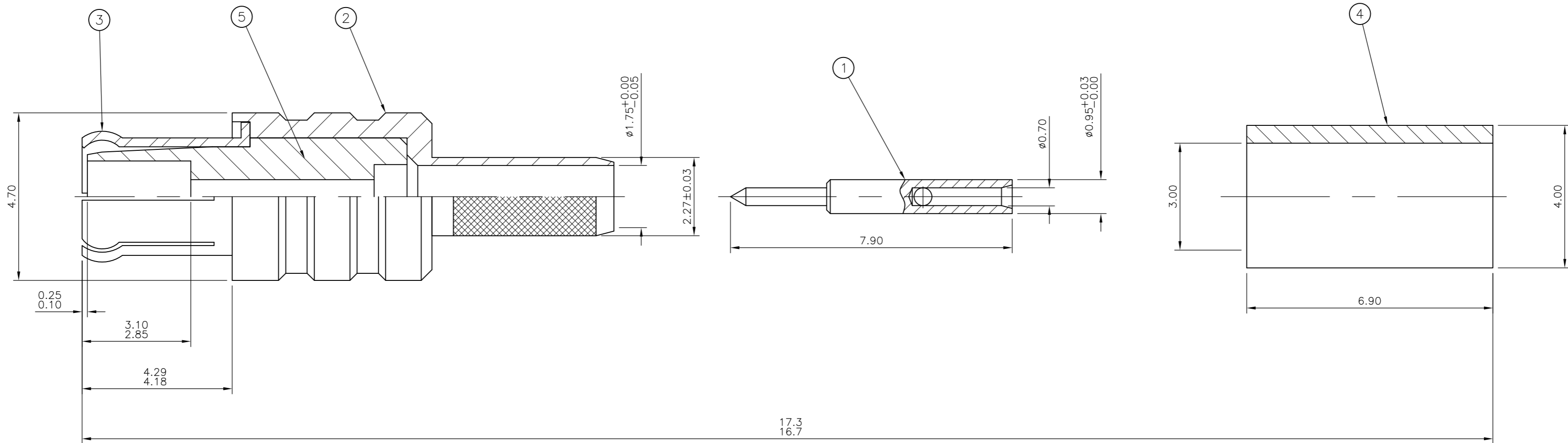
LOC E	DIST B	REVISIONS					
		P	LTR	DESCRIPTION	DATE	DWN	APVD
		E		ECR-08-021014	20AUG08	JMS	PB

NOTES

- 1 SINGLE PACK IN ACCORDANCE WITH AMP SPEC 107-3275
- 2 100 TRAY PACK IN ACCORDANCE WITH AMP SPEC 107-3275
- 3 FLASH GOLD PLATING (0.1-0.2µm)
- 4 MEDIUM GOLD PLATING (0.8µm)
- 5 THICK GOLD PLATING (1.3µm)
- 4. HAND CRIMPING TOOL FOR POSITIONS 10-12 TYCO ELECTRONICS P/N 734537-1 (HEX. 3.25) ALTERNATE 9-1478240-0
- 5. HAND CRIMPING TOOL FOR POSITIONS 1-3 DANIELS M22520/2-01 WITH POSITIONER TYCO ELECTRONICS P/N 639000-1, CRIMPING SELECTION: SEL-NO. 4, ALTERNATE 9-1478248-0
- 8. CHARACTERISTICS

FREQUENCY RANGE:	DC-6GHz
NOMINAL IMPEDANCE:	50 OHMS
INSULATION RESISTANCE:	1000 MOHMS
DIELECTRIC WITHSTAND VOLTAGE:	1000V RMS
WORKING VOLTAGE:	335V MAX AT SEA LEVEL
CONTACT RESISTANCE:	
CENTRE CONTACT	5.0 mOHMS
OUTER CONTACT	1.0 mOHMS
- 7. MECHANICAL CHARACTERISTICS

DURABILITY:	500 CYCLES
-------------	------------
- 8. FOR TECHNICAL DATA REFER TO YOUR LOCAL TYCO ELECTRONICS SALES OFFICE
- 9. ALL DIMENSIONS ARE NOMINAL FOR REFERENCE ONLY UNLESS OTHERWISE STATED



	1	1	1	1	1	1	PTFE	DIELECTRIC	5
	1	1	1	1	1	1	ANNEALED COPPER	CRIMP SLEEVE	4
	1	1	-	-	-	-	PHOSPHOR BRONZE	OUTER CONTACT	3
	-	-	1	1	-	-	PHOSPHOR BRONZE	OUTER CONTACT	3
	-	-	-	-	1	1	PHOSPHOR BRONZE	OUTER CONTACT	3
	1	1	1	1	1	1	BRASS	BODY	2
	1	1	-	-	-	-	BRASS	MALE CONTACT	1
	-	-	1	1	-	-	BRASS	MALE CONTACT	1
	-	-	-	-	1	1	BRASS	MALE CONTACT	1
	6--2	1--2	6--1	1--1	6--0	1--0	MATERIAL	DESCRIPTION	ITEM
	2	1	2	1	2	1			

THIS DRAWING IS A CONTROLLED DOCUMENT.		DWN J.SANDWELL 09NOV04	Tyco Electronics Corporation Bideford, EX39 4HE	
DIMENSIONS: mm	TOLERANCES UNLESS OTHERWISE SPECIFIED	CHK S.PARLOW 09NOV04	NAME F.WHEELER-KING	
	0 PLC ±	APVD F.WHEELER-KING 09NOV04	PRODUCT SPEC	
	1 PLC ±		APPLICATION SPEC	
	2 PLC ±		WEIGHT	
	3 PLC ±		CUSTOMER DRAWING	
	4 PLC ±		SCALE NTS	
	ANGLES ±		SHEET 1 OF 2	
MATERIAL	FINISH		REV E	

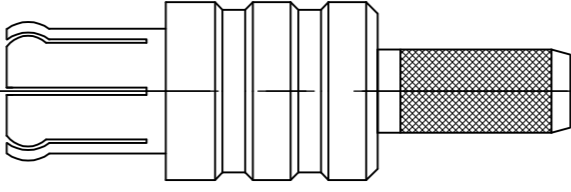
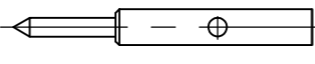
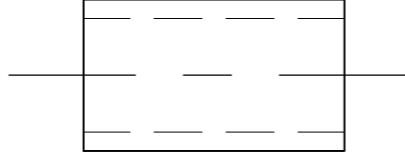
SIZE: A2 CAGE CODE: 00779 DRAWING NO: 1337580 RESTRICTED TO: -

1337580

THIS DRAWING IS UNPUBLISHED. RELEASED FOR PUBLICATION NOV. 2004.
 © COPYRIGHT 2004 BY TYCO ELECTRONICS CORPORATION. ALL RIGHTS RESERVED.

LOC	DIST	REVISIONS					
E	B	P	LTR	DESCRIPTION	DATE	DWN	APVD
		-	-	SEE SHEET 1	-	-	-

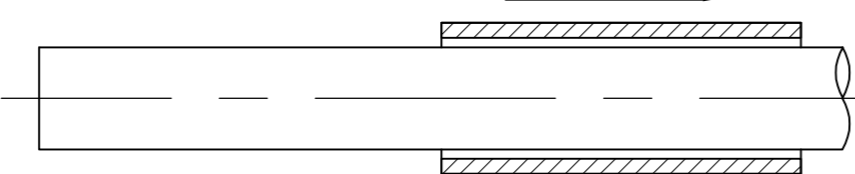
COMPONENTS

	MAIN BODY (ITEM 2, 3 & 5)	CENTRE CONTACT (ITEM 1)	PUSHER SLEEVE (ITEM 4)		
					

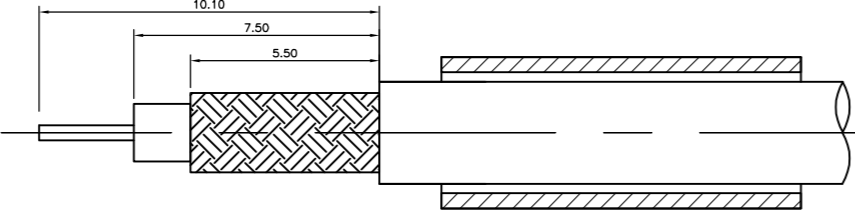
ASSEMBLY INSTRUCTION

CABLES: RG174A/U, 188A/U, 316/U, URM95, KX3B, KX22A

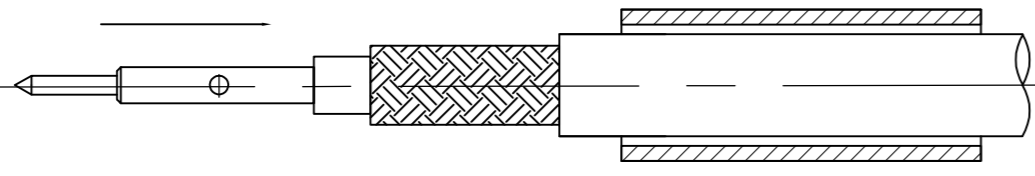
STEP 1
1. SLIDE METAL CRIMP FERRULE OVER CABLE



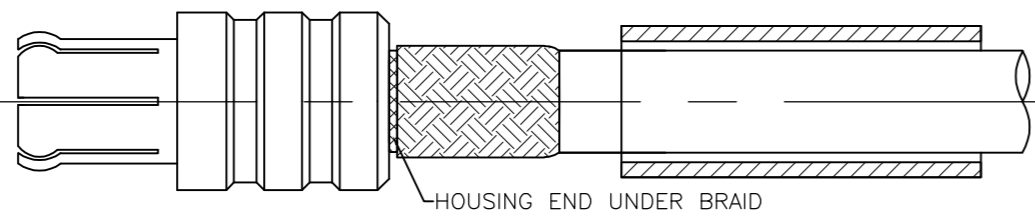
STEP 2
1. STRIP CABLE TO DIMENSIONS AS SHOWN



STEP 3
1. FIT CONTACT OVER CENTRE CONDUCTOR TO BUTT AGAINST DIELECTRIC.
2. CRIMP CONTACT USING TOOL AS NOTED ON PAGE 1 NOTE 5

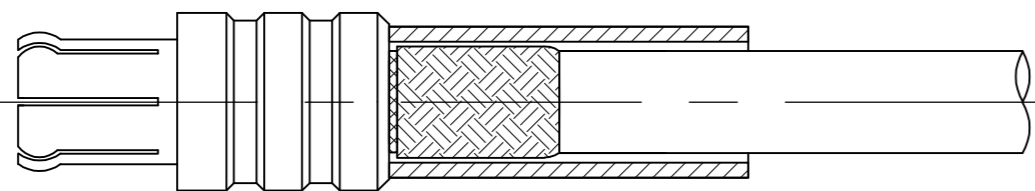
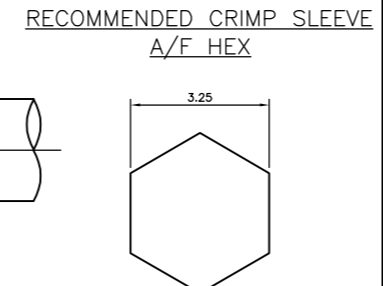



STEP 4
1. PRESS SUB-ASSEMBLY INTO BODY, UNTIL CONTACT IS FULLY LOCATED BY AN AUDIBLE CLICK.
2. ENSURE THAT KNURLED HOUSING INSERTS BETWEEN THE DIELECTRIC AND CABLE BRAID.



HOUSING END UNDER BRAID

STEP 5
1. SLIDE CRIMP FERRULE ALONG THE CABLE UNTIL IT BUTTS AGAINST THE HOUSING BODY.
2. CRIMP SLEEVE USING TOOL AS NOTED ON PAGE 1 NOTE 4
3. CRIMP DIMENSION AS SHOWN

THIS DRAWING IS A CONTROLLED DOCUMENT.		DWN JSANDWELL 09NOV04	 Tyco Electronics Corporation Bideford, EX39 4HE																				
DIMENSIONS: mm		CHK S.PARLOW 09NOV04																					
TOLERANCES UNLESS OTHERWISE SPECIFIED:		APVD F.WHEELER-KING 09NOV04																					
<table border="1"> <tr><td>0 PLC</td><td>±</td><td>-</td></tr> <tr><td>1 PLC</td><td>±</td><td>-</td></tr> <tr><td>2 PLC</td><td>±</td><td>-</td></tr> <tr><td>3 PLC</td><td>±</td><td>-</td></tr> <tr><td>4 PLC</td><td>±</td><td>-</td></tr> <tr><td>ANGLES</td><td>±</td><td>-</td></tr> <tr><td>FINISH</td><td>-</td><td>-</td></tr> </table>		0 PLC		±	-	1 PLC	±	-	2 PLC	±	-	3 PLC	±	-	4 PLC	±	-	ANGLES	±	-	FINISH	-	-
0 PLC	±	-																					
1 PLC	±	-																					
2 PLC	±	-																					
3 PLC	±	-																					
4 PLC	±	-																					
ANGLES	±	-																					
FINISH	-	-																					
MATERIAL	FINISH	WEIGHT	SIZE A2 CAGE CODE 00779 DRAWING NO C=1337580 RESTRICTED TO																				
CUSTOMER DRAWING		SCALE NTS	SHEET 2 OF 2 REV E																				

1337580